

WL-FILROT



Semi-automatic rotational cleaning filter for cold drinking water

DESCRIPTION:

The semi-automatic cleaning filter for drinking water filtration is the result of the experience gained in the field of water treatment and entirely made with the best technologies and the best materials currently available.

The importance that a correct and effective water filtration plays (D. Lgs. 31/01), for the good functioning of a domestic plant and its components, is now an acquired datum for planners, installers and plant owners.

ADVANTAGES:

Not many people know, however, that a filtration made and rule of art can also lead to significant advantages such as:

- Longer life of the system components
- Increased durability and performance of domestic appliances such as washing machines and dishwashers
- Protection of the pipes from corrosion from all solid particles, flakes of iron and material that detach from the pipes and transported by the water flow create an abrasive effect and sagging in the weakest areas.

No-drip system:

The no-drip anti-drip system and the dirt deposit groove, allows the exhaust system to function correctly throughout the life of the filter, even in extreme conditions, avoiding unpleasant leaks from the drain or blocking the system. With this technology, the drain will pass from the open / closed position by rotation and will always be clean and free of impurities that may compromise its correct functioning.

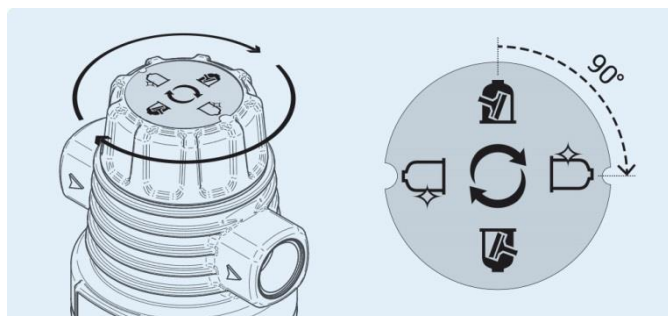
Triple layer filter cartridge:

The 90 micron filter cartridge is made up of three layers. The inner layer or perforated support body serves to support the filtering mesh and to strengthen the cartridge. The butt welding of the cartridge and consequently its uniform surface avoids dangerous stresses of the brushes and of the filtering mesh, concentrating the energy of the brushing to the sole removal of the dirt rather than to the deformation of the cylinder. The intermediate layer improves the passage of water acting as a diffuser and providing additional support to the layer dedicated to retaining dirt. Finally, the last layer or filter mesh fits perfectly on the surface of the cylinder for greater reliability.



OPERATION:

Pressing the washing knob activates the rotation of the internal filtration system which will be brushed entirely on its surface. At every cleaning operation the dirt accumulated on the cartridge and inside the glass will be discharged. This system will therefore not present the problem of replacing the filtering cartridge or cleaning it, with considerable economic and practical advantages.



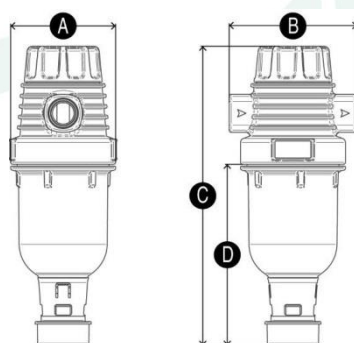
TECHNICAL DATA:

Header	Polypropylene
Attacks	Brass / plastic
Jar	Makrolon
Cartridge	Stainless Steel AISI 304-316
Components	Acetal resin

TYPE OF FILTER	A	B	C	D
Attacks	1/2" F	3/4" F	1" F	1" 3/4 F
Portata (m³/h)	3,5	5	6	7
Pressure min / max	1,5 ÷ 10 bar			
Degree of filtration	90 micron			
Temp. of water min / max	5 ÷ 40 °C			

Exhaust connection: anti-reflux system in compliance with the European Standard UNI EN 717/2002.

DIMENSIONS:



DIMENSIONS:

- A 100 mm
- B 121 mm
- C 283 mm
- D 120 mm

WL-FILROT it is built with high quality materials and is suitable for use for drinking water complying with the provisions of the D.M. 174 of 06/04/2004, D.M. 25/2012 and UNI CTI 8065/89.

PACKAGES AND ARTICLE CODE:

- WLFILROT903/4, degree of filtration 90 micron, female attacks 3/4".
- WLFILROT9001, degree of filtration 90 micron, female attacks 1".
- WLFILROT9011/4, degree of filtration 90 micron, female attacks 1"1/4.

Last update: 27.04.2023

